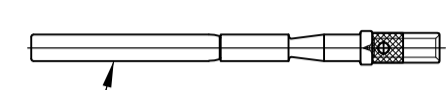
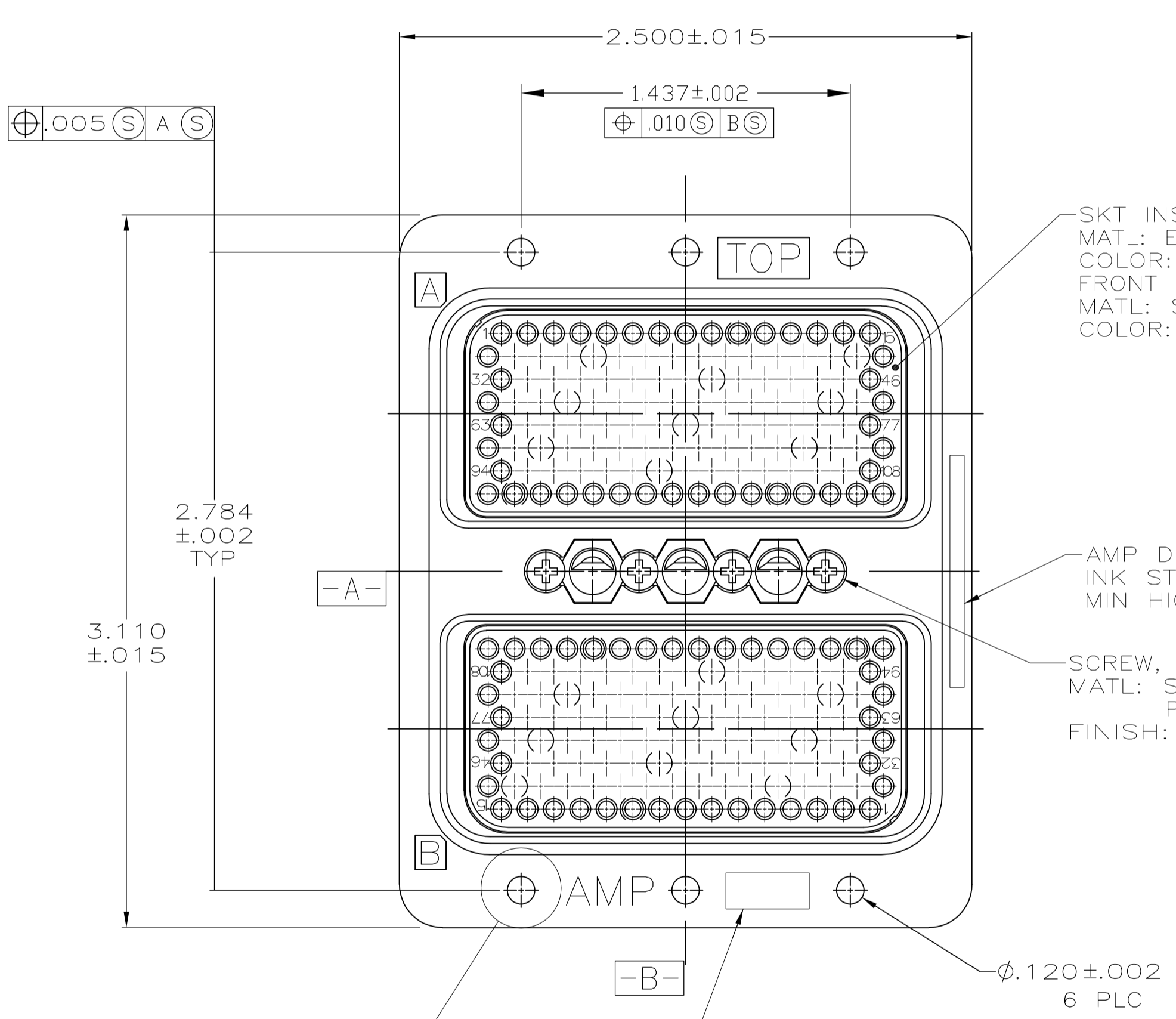
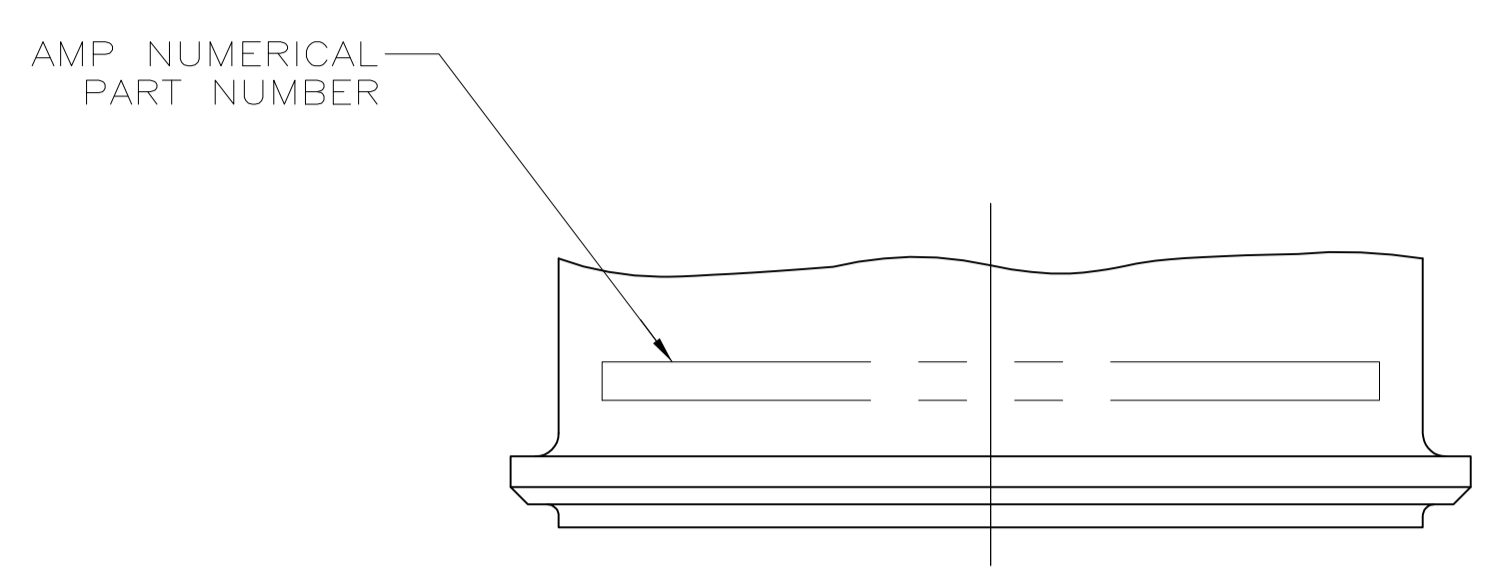


SIZE 20 SEALING PLUG, 37 SUPPLIED  
MATL: NYLON PER MIL-M-20693  
COLOR: RED

- THIS CONNECTOR MEETS ALL APPLICABLE SPECIFICATIONS OF MIL-C-81659.
- CONTACTS ARE RELEASED FROM FRONT AND REMOVED FROM REAR OF CONNECTOR.
- POLARIZING KEYS ARE ASSEMBLED IN POSITION 01; (445595-1 THRU -6)
- REPLACEMENT SOCKET CONTACT ASSY PART NUMBER IS 445591-1.
- CONTACTS AND SEALING PLUGS ARE NOT INSTALLED. PACKAGED BULK IN SEPARATE BAGS.
- FLOATING BUSHING, IN 4 CORNER MOUNTING HOLES, 4 REQUIRED  
MATERIAL: STAINLESS STEEL  
FINISH: PASSIVATED
- WITHOUT CONTACTS
- WITHOUT CONTACTS AND SEALING PLUGS
- POLARIZING KEYS ARE ASSEMBLED IN POSITION 05; (445595-7 ONLY)



SIZE 20 SOCKET CONTACT ASSY. 4  
LOW INSERTION FORCE,  
248 REQD - 273 SUPPLIED  
COLOR CODED BROWN  
SEE DWG 445591



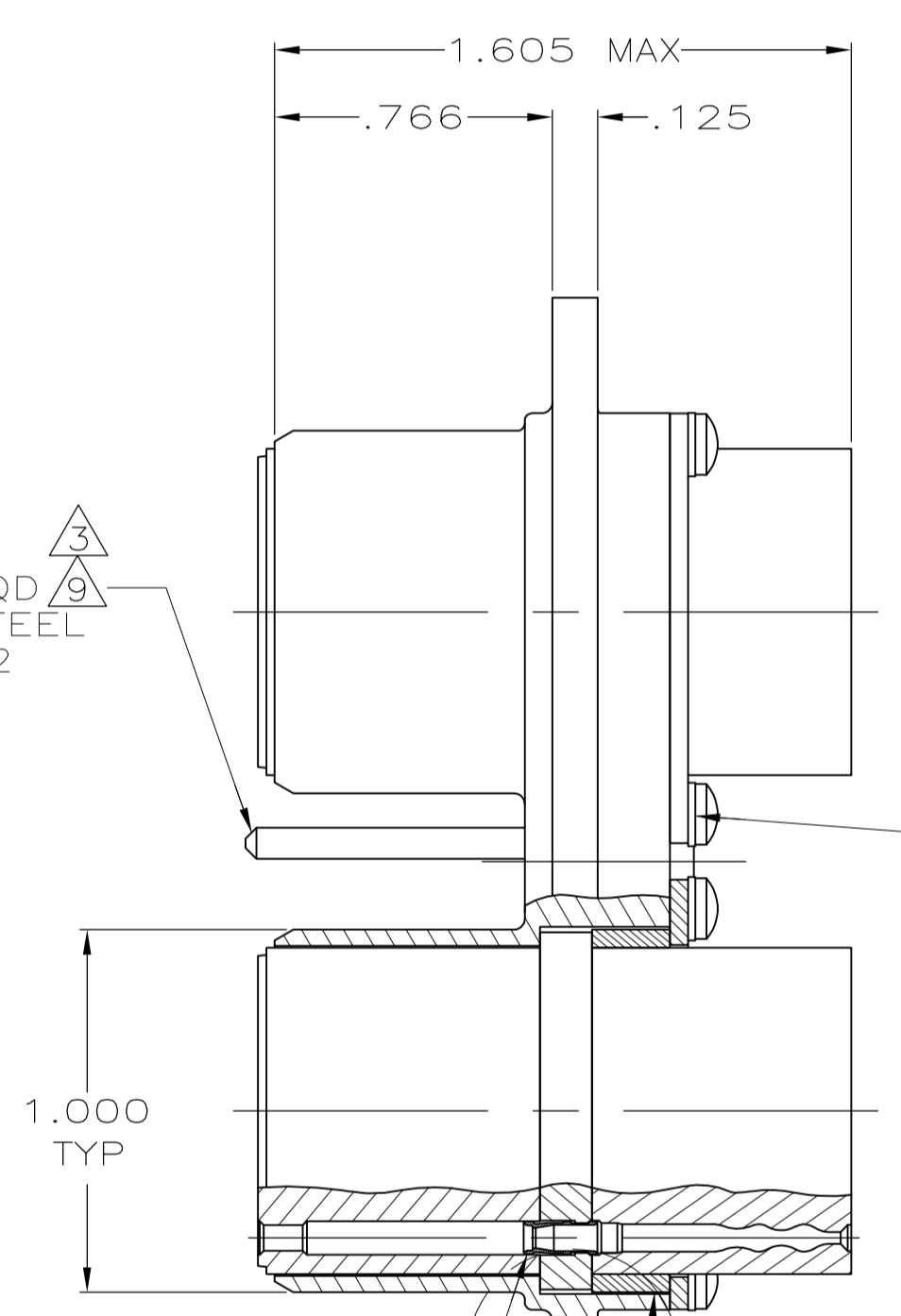
SKT INSERT, 124 POSN, 2 REQD  
MATL: EPOXY MLDG CMPD  
COLOR: BLACK  
FRONT INSERT & REAR GROMMET  
MATL: SILICONE RUBBER  
COLOR: RED

POLARIZING POST, 3 REQD  
MATERIAL: STAINLESS STEEL  
PER ASTM-A-582  
FINISH: PASSIVATED  
PER QQ-P-35

AMP DESCRIPTIVE PART NUMBER  
INK STAMPED .047  
MIN HIGH CHARACTERS

SCREW, 4 REQD  
MATL: STAINLESS STEEL  
PER ASTM-A-582  
FINISH: PASSIVATED  
PER QQ-P-35

DATE CODE INK STAMPED  
.047 MIN HIGH LETTERS



SIZE 20 RETAINING COLLET, 248 REQD  
MATL: BERYLLIUM COPPER  
PER QQ-C-530

SPACER, 4 REQD  
MATL: ALUMINUM  
PER QQ-A-250  
FINISH: BLACK ANODIZED  
PER MIL-A-8625

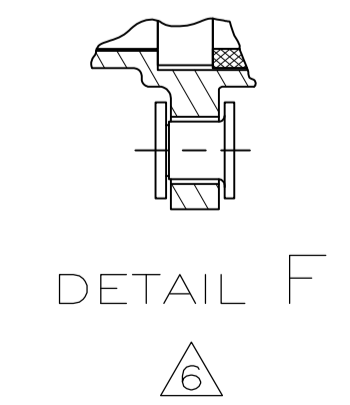
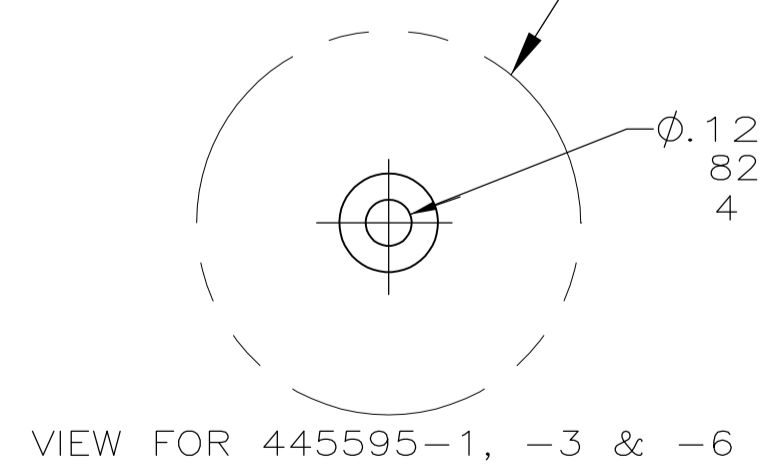
SCREW, 8 REQD  
MATL: STAINLESS STEEL  
FINISH: PASSIVATED

LOCKWASHER, 8 REQD  
MATL: STAINLESS STEEL  
FINISH: PASSIVATED

RETAINER PLATE, 2 REQD  
MATL: ALUMINUM PER QQ-A-250  
FINISH: BLACK ANODIZED  
PER MIL-A-8625

PLUG SHELL  
MATL: ALUMINUM ALLOY  
PER QQ-A-591  
FINISH: BLACK ANODIZED  
PER MIL-A-8625

|                     |                |             |
|---------------------|----------------|-------------|
| BD2P124S124S-8805   | 3, 6, 8        | 445595-7    |
| BD2P124S124S-8001   | 3, 6, 8        | 445595-6    |
| BD2P124S124S-8801   | 3, 6, 8        | 445595-5    |
| BD2P124S124S-8801   | 3, 6, 8        | 445595-4    |
| BD2P124S124S-8001   | 3, 6, 8        | 445595-3    |
| BD2P124S124S-8801   | 3, 445595-1, 6 | 445595-2    |
| BD2P124S124S-8001   | 3, AS SHOWN    | 445595-1    |
| AMP DESCRIPTIVE NO. | DESCRIPTION    | PART NUMBER |



THIS DRAWING IS A CONTROLLED DOCUMENT.

|                       |  |           |           |           |              |               |            |
|-----------------------|--|-----------|-----------|-----------|--------------|---------------|------------|
| DIMENSIONS: INCHES    | TOLERANCES UNLESS OTHERWISE SPECIFIED: | 0 PLC ± - | 1 PLC ± - | 2 PLC ± - | 3 PLC ± .005 | 4 PLC ± -     | ANGLES ± - |
| MATERIAL SEE CALLOUTS | FINISH SEE CALLOUTS                    | WEIGHT    | SIZE      | CAGE CODE | DRAWING NO   | RESTRICTED TO |            |
|                       |  |           | A1        | 00779     | 445595       |               |            |

CUSTOMER DRAWING SCALE 2:1 SHEET 1 OF 1 REV K

STE TE Connectivity

DUAL PLUG CONNECTOR KIT, ARINC404, BD2P124S124S SERIES, FRONT RELEASE/REAR REMOVE